



Noffsinger Manufacturing Co., Inc.

500 Sixth Avenue • P.O. Box 1150

Greeley, Colorado 80632

970-352-0463 • 800-525-8922

Fax 970-352-3017

Noffsinger's NEW Threaded Joint Clips for Belt Chains

2/9/2015

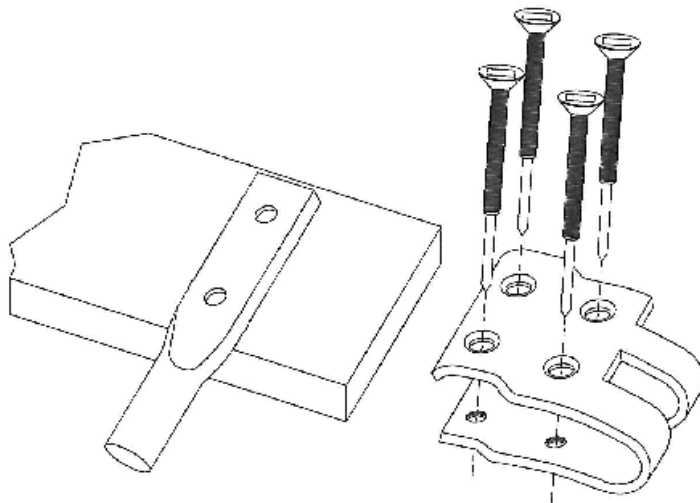
Enjoy a fast easy field repair by using Noffsinger's new enhanced design.

Comes with a 12-24 grade 5 bolt that is 1.50" long. The bolt have a square drive head giving you a positive drive system. The end of bolt has a dog point design giving you a direct thread connection to help eliminate cross threading. Noffsinger is also offering a convenient tool to easily break off the excess bolt length.

The clip itself is the same high quality but has threads added to the bottom side to simplify and increase the speed of replacing clips on your belts.

Available for shipment the Spring of 2015

The below Kits include clips and bolts.



<u>Part Number</u>	<u>Pitch</u>
118181	28mm
118182	32mm
118183	36mm
118184	40mm
118185	42mm
118186	45mm
118187	50mm
118188	56mm
118537	60mm
118547	Breakaway Tool for the bolts.

To place your orders call 800-525-8922